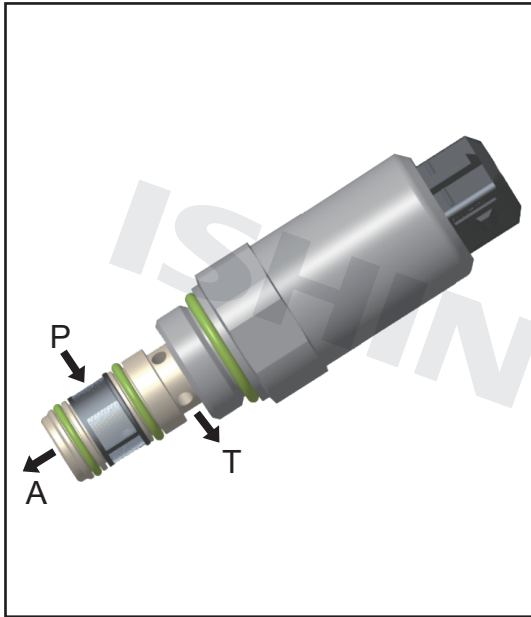


## RP-4K17

### Description

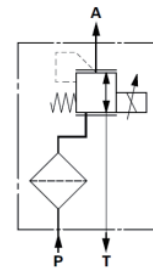


### Working Principles

Control Method: 2-way, 3-port, proportional control  
 Power off: fuel flows from port A to port T  
 Power on: fuel flows from port P to port A

Application: Proportional pressure reduction control devices

### Symbol

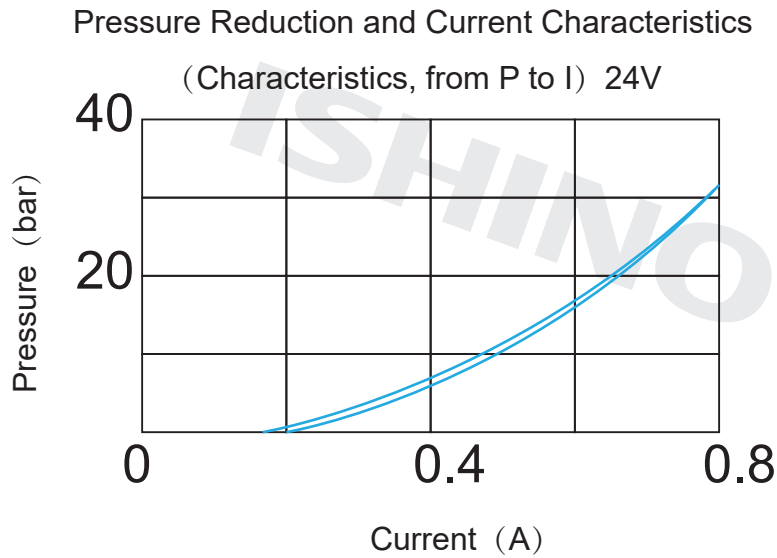


### Technical Parameter

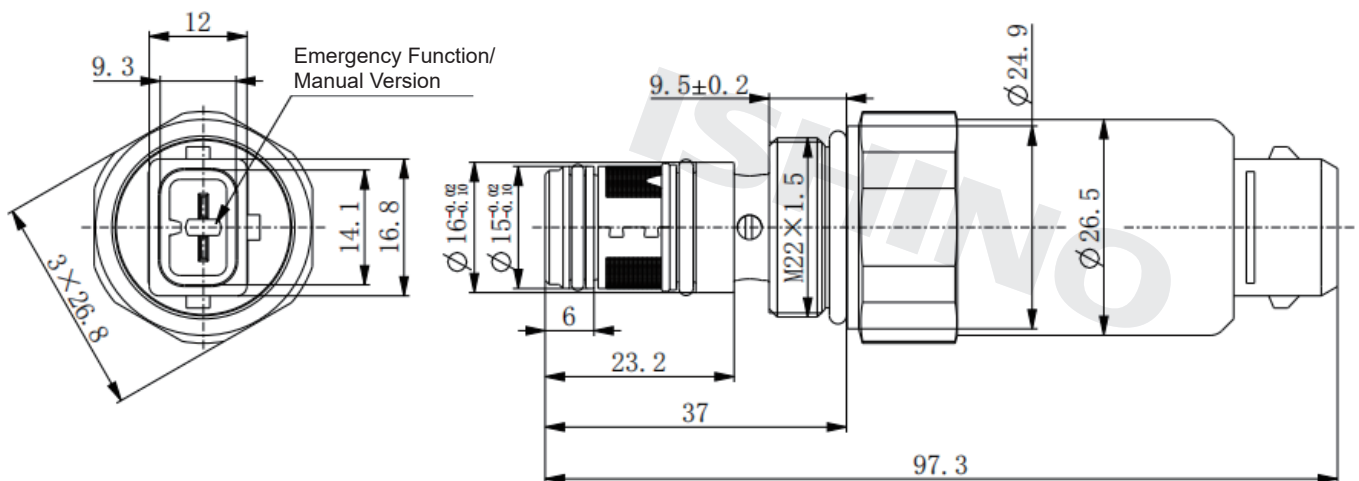
Working Voltage: DC12V/DC24V 《Optional》 ;
Working Current: 0~1.8A (12V) /0~0.8A (24V) 《Optional》 ;
Drive Frequency: 200Hz;
Maximum Fuel Port Pressure: 100bar;
Maximum Flow: 5L/min(when ΔP 7bar);
Adjusting Pressure Range: 0~18bar/0~30bar 《Optional》 ;
Response Time: T open ≤40ms; T close ≤20ms;
Hysteresis: ≤4%;
Linearity: ≤5%;
Pressure Characteristics: see " Functional Chart";
Internal Leakage: ≤50ml/min (P=100bar) ;
Usage Environment Temperature: -30°C to 90°C;
Usage Medium Temperature: -30°C to120°C;
Usage Medium Viscosity Range: 5~500cSt mineral oil or lubricating synthetic oil;
Installation: Screw cartridge, tightening torque 20-23Nm;
Coil : 12V/24V "optional", consult the factory for detailed parameters;
IP Functions: IP69K;
Protective properties: waterproof, anti-corrosion

RP-4K17

Functional Chart

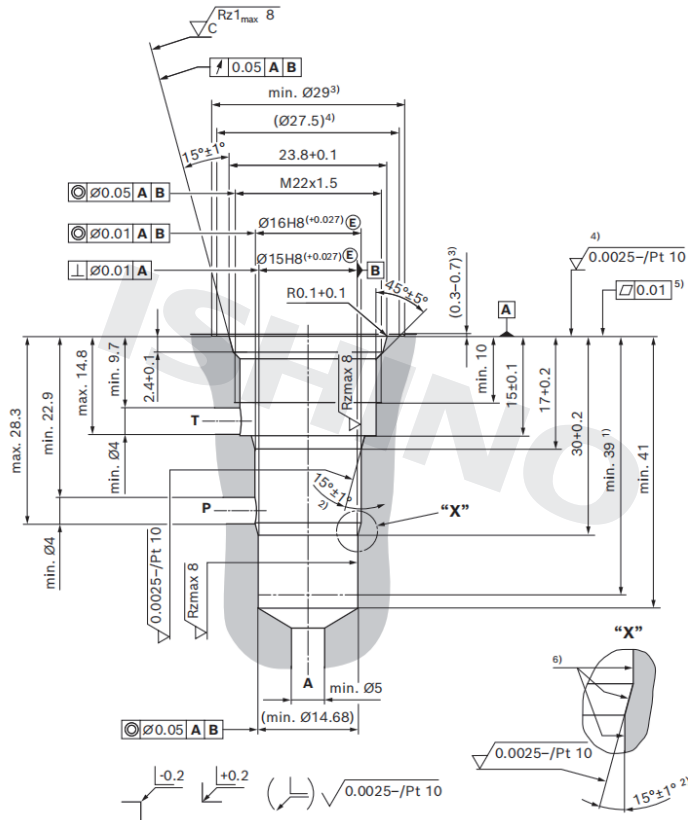


Drawing(Connector:AMP Junior)

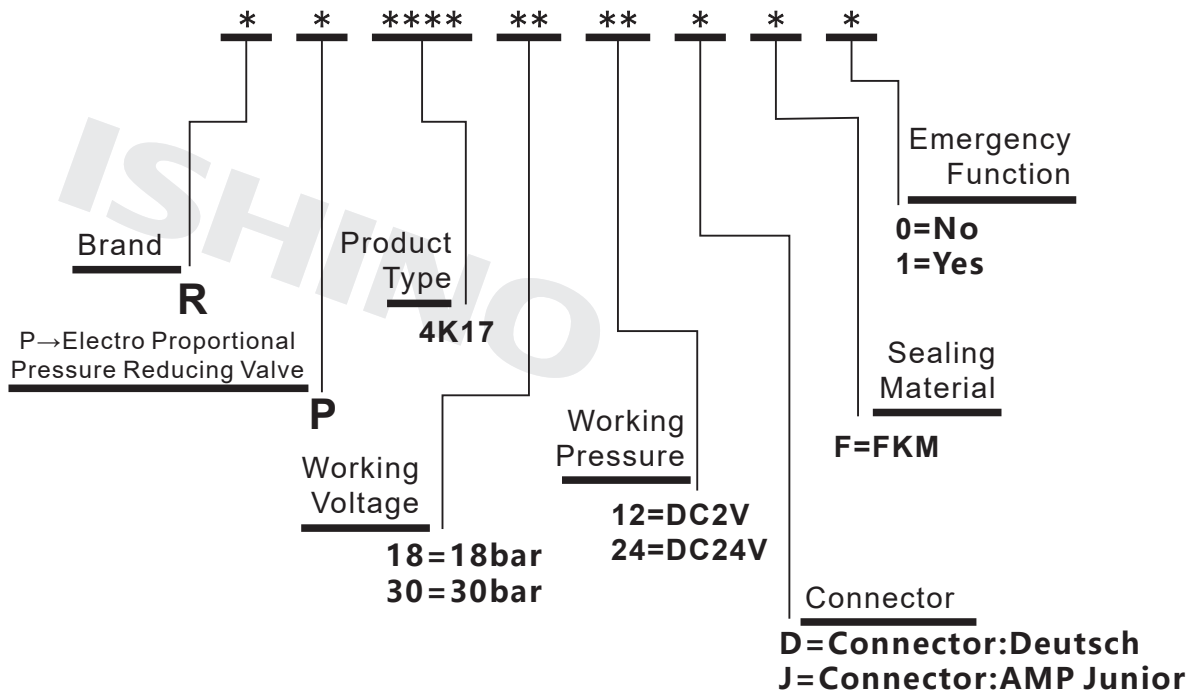


**RP-4K17**

Cavity Dimensions



Selection instructions



Note: For other plugs and emergency functions, consult the factory

**RP-4K17**

Ordering Code

RP-4K17-30-24-J-F-1	96105	RP-4K17-30-12-J-F-1	96108
		Other models to be updated	